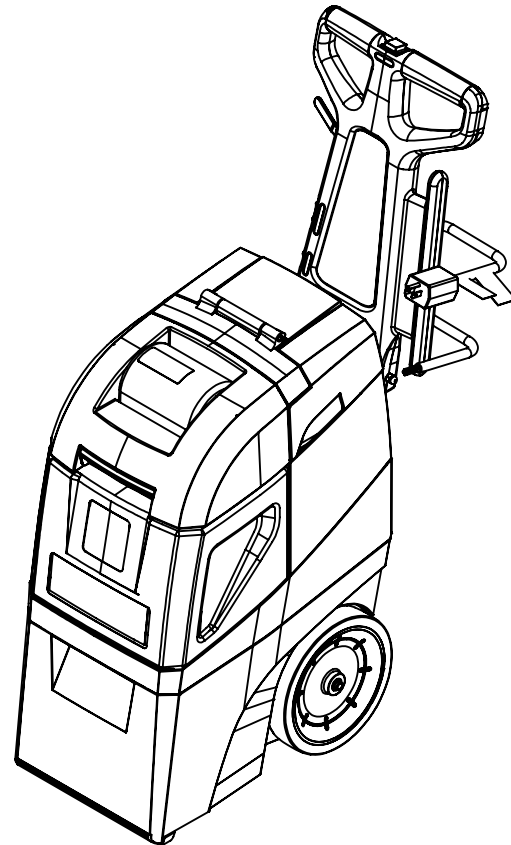




4701 Old Shepard Place  
Plano, TX 75093



BLUE X3 CARPET CLEANING MACHINE  
MODEL # 93083  
PARTS MANUAL # 12239

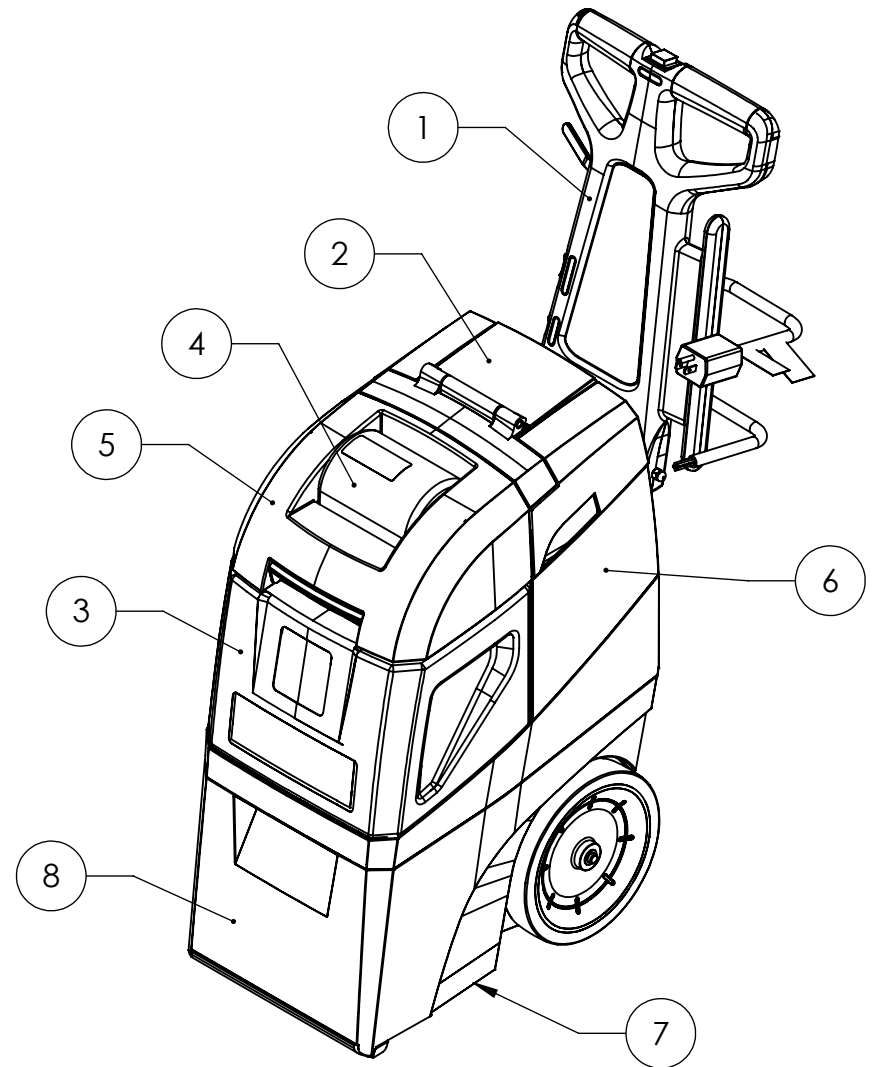


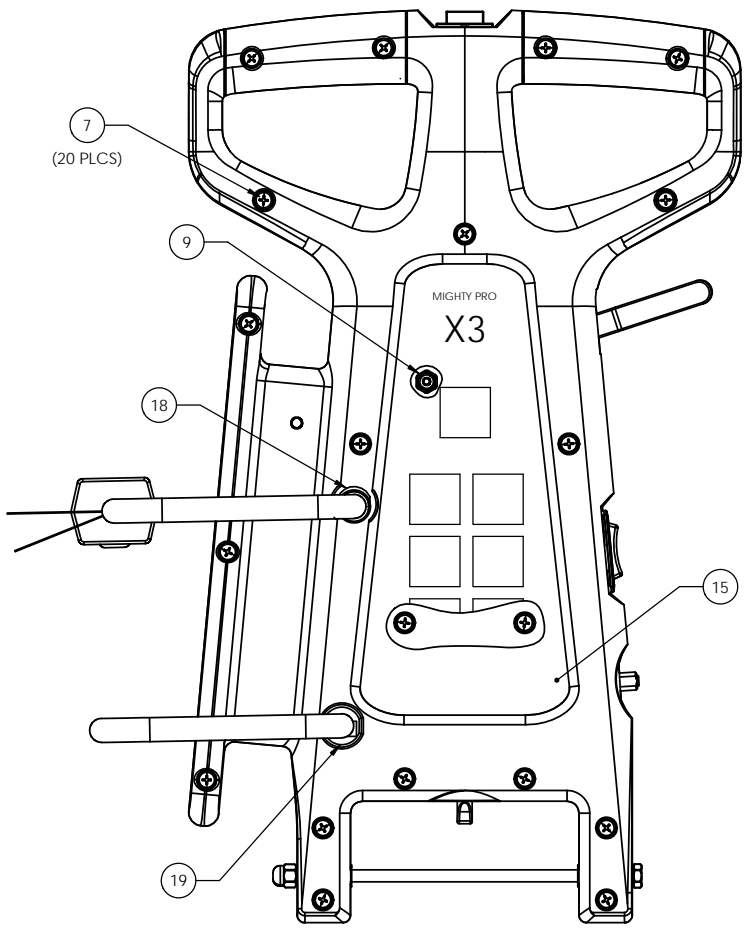
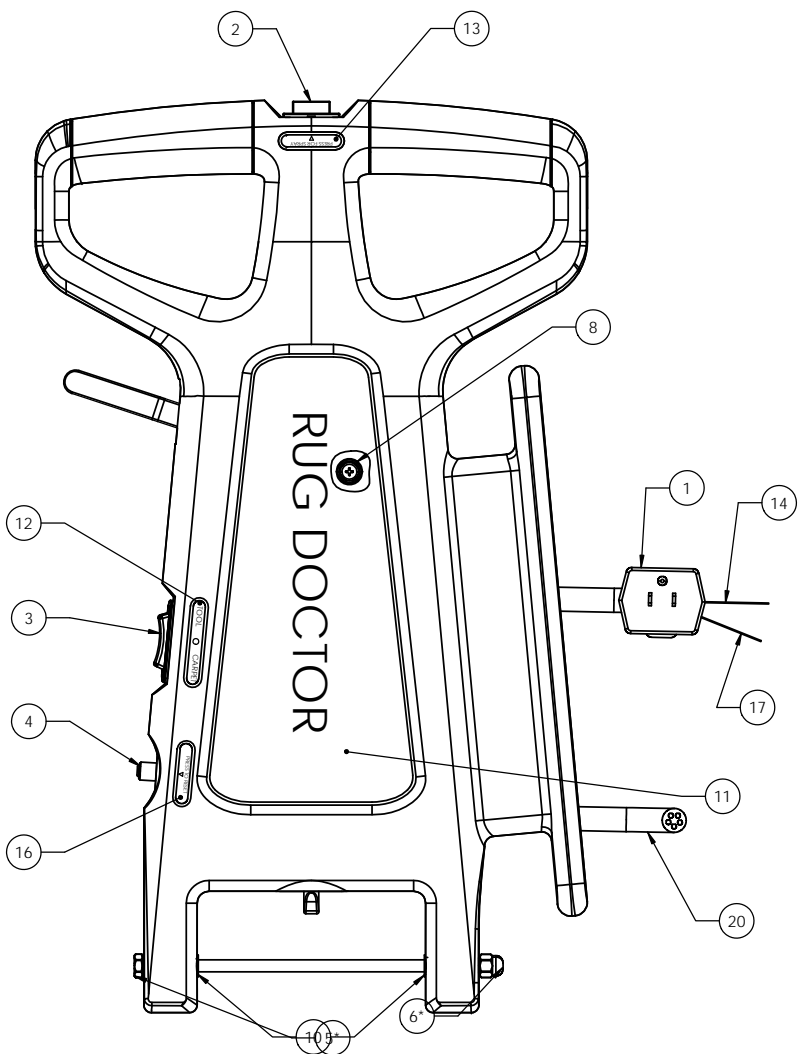
4701 Old Shepard Place  
Plano, TX 75093

BLUE X3 MODEL # 93083  
PARTS MANUAL # 12239

## CONTENTS:

1. HANDLE ASSY
2. VAC COVER ASSY
3. RECOVERY TANK ASSY
4. DOME ASSY
5. HOOD ASSY
6. MAIN SUPPORT ASSY
7. BOTTOM PAN ASSY
8. LOWER TANK ASSY





93082, COMPLETE HANDLE ASSY WITH CORDS AND LABELS

REPLACEMENT PARTS AVAILABLE:			
ITEM	PART #	DESCRIPTION	QTY
1	91651	ALCI PLUG & CORD, 28 FT, FOR X3	1
2	51060	SWITCH, PB, RED	1
3	51107	SWITCH, ROCKER, ON-OFF-ON	1
4	51129	CIRCUIT BREAKER, 15 AMP	1
5*	20386	BOLT, 1/4-20 X 7-1/2"	1
6*	20859	ACORN NUT 1/4-20	1
7	20962	SCREW, 10-16 X 3/4" SST PHILLIPS HEAD	20
8	20966	SCREW, 8-32 X 7/8" SST SLOT BUTTON HEAD	1
9	20241	NUT NYLOCK 8-32 SST	1
10	41189	BUSHING	2
11	77011	LABEL, RD FRONT LOGO	1
12	77010	LABEL, ON-OFF CRPT/UPH	1
13	77008	LABEL, PRESS FOR SPRAY	1
14	77007	LABEL, CAUTION/GROUND	1
15	77003	LABEL, REAR, CARPET CONN/UPHOLSTERY INSTRUCTIONS	1
16	77002	LABEL, CB RESET	1
17	76815	LABEL, WARNING PROP 65	REF
18	60795	GROMMET HEYCO 1232	1
19	60794	GROMMET HEYCO 1497	1
20	55321	5-CONDUCTOR CORD	1

\* ORDER SEPARATELY

93082, COMPLETE HANDLE ASSY			
TORQUE VALUES			
ITEM	PART #	DESCRIPTION	VALUE
5	20386	BOLT, 1/4-20 X 7-1/2"	16-18 IN-LBS
7	20962	SCREW, 10-16 X 3/4"	16-18 IN-LBS
8	20966	SCREW, 8-32 X 7/8"	18-20 IN-LBS

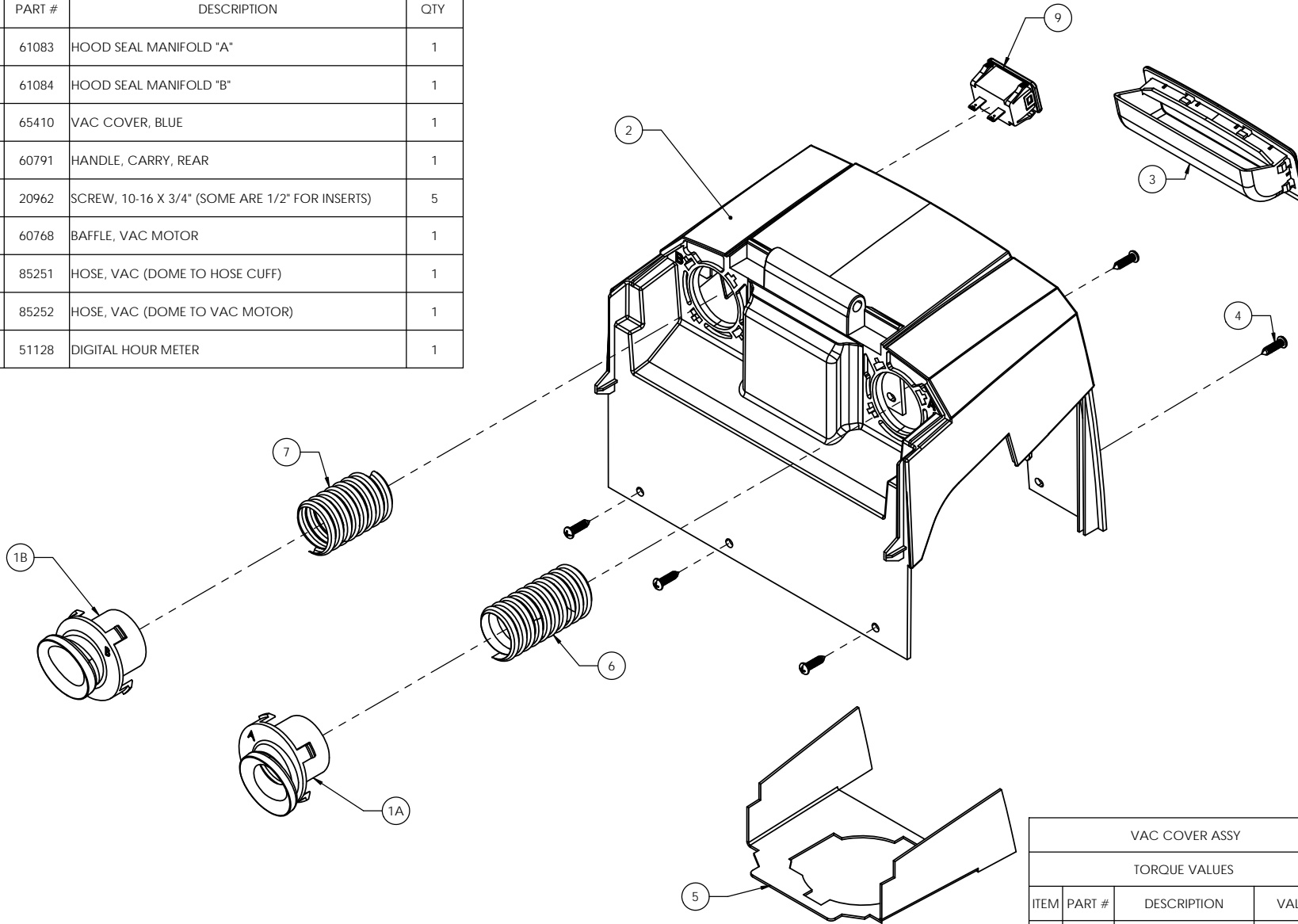
**RugDoctor** 4701 OLD SHEPARD PLACE  
PLANO, TX 75093

TITLE: <b>HANDLE ASSY</b>	
ASSY. NO. <b>93082</b>	DATE: <b>1/18/13</b>

VAC COVER ASSY

REPLACEMENT PARTS AVAILABLE:

ITEM	PART #	DESCRIPTION	QTY
1A	61083	HOOD SEAL MANIFOLD "A"	1
1B	61084	HOOD SEAL MANIFOLD "B"	1
2	65410	VAC COVER, BLUE	1
3	60791	HANDLE, CARRY, REAR	1
4	20962	SCREW, 10-16 X 3/4" (SOME ARE 1/2" FOR INSERTS)	5
5	60768	BAFFLE, VAC MOTOR	1
6	85251	HOSE, VAC (DOME TO HOSE CUFF)	1
7	85252	HOSE, VAC (DOME TO VAC MOTOR)	1
9	51128	DIGITAL HOUR METER	1

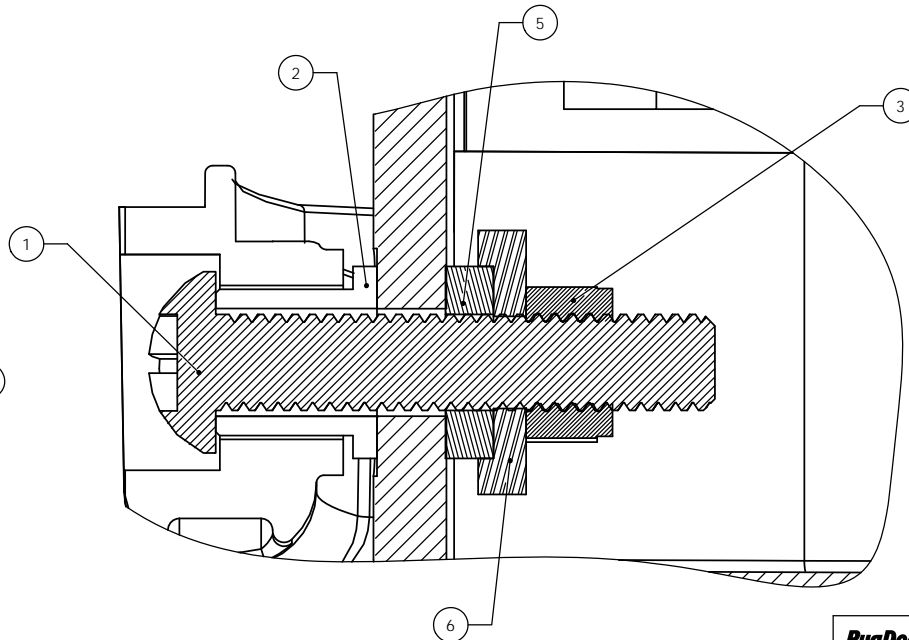
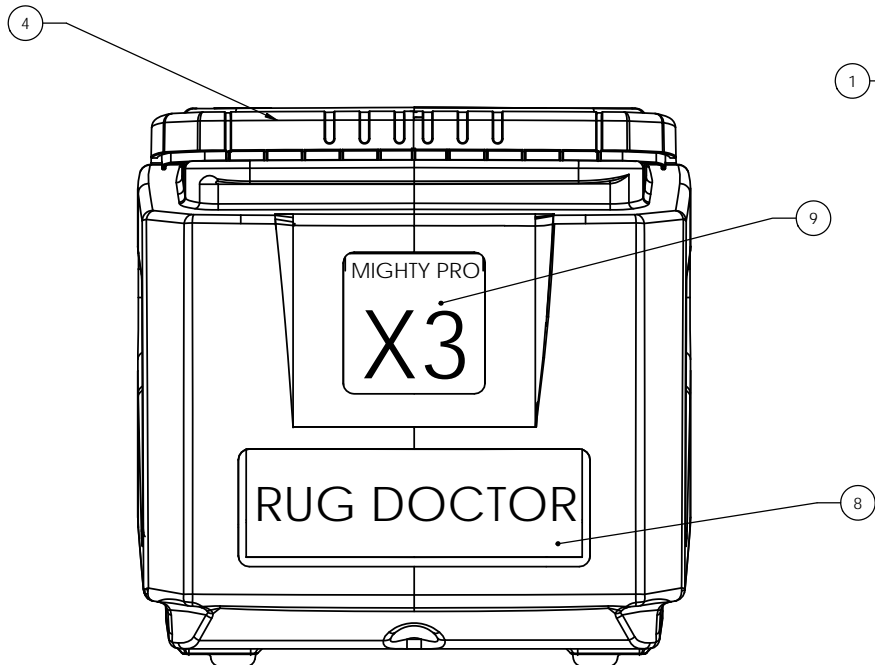
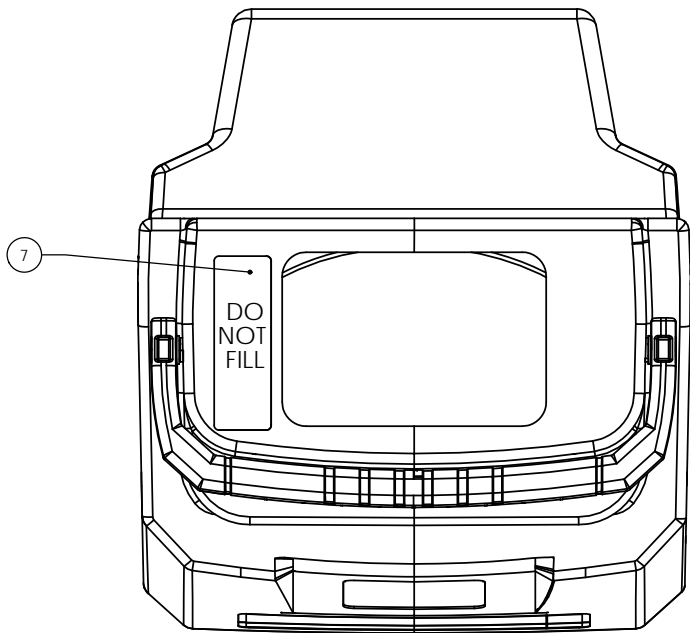


VAC COVER ASSY			
TORQUE VALUES			
ITEM	PART #	DESCRIPTION	VALUE
5	20962	SCREW, 10-16 X 3/4"	14-16 IN-LBS

**RugDodor** 4701 OLD SHEPARD PLACE  
PLANO, TX 75093

TITLE:  
**VAC COVER ASSY**

ASSY. NO. DATE:  
**6/12/13**



93084, RECOVERY TANK ASSY			
REPLACEMENT PARTS AVAILABLE:			
ITEM	PART #	DESCRIPTION	QTY
1	20960	SCREW, 1/4-20 X 1-1/4" SST	2
2	60793	BUSHING, RECOVERY TANK HANDLE	2
3	20237	NUT, LOCK, 1/4-20	2
4	45118	HANDLE, RECOVERY TANK	1
5	60279	GASKET, RECOVERY TANK, 1/4	2
6	60280	SOCKET WASHER	2
7	77023	LABEL, DO NOT FILL, UNIVERSAL	1
8	77004	LABEL, RD. LOGO	1
9	77005	LABEL, X3 LOGO	1

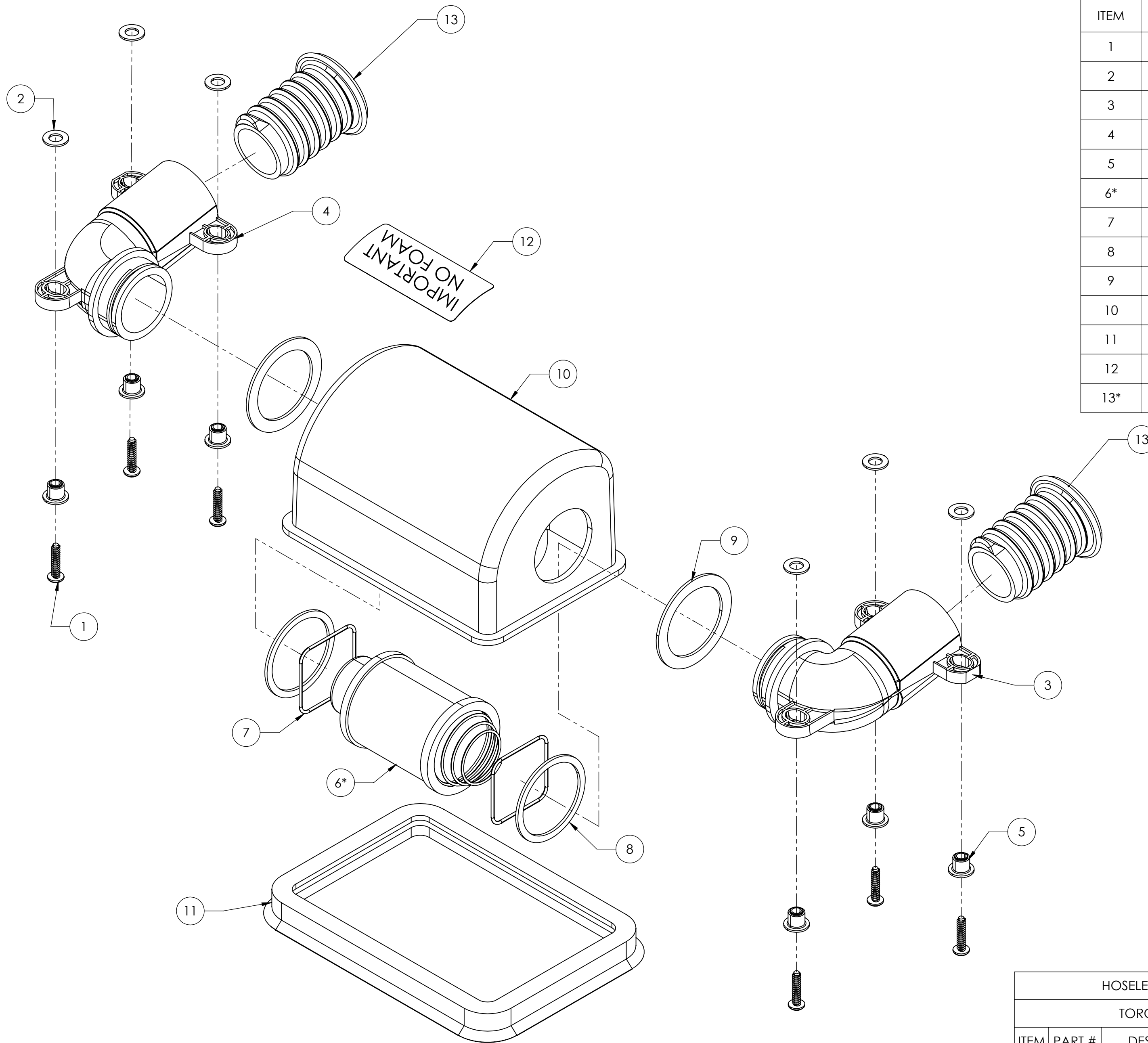
93084, RECOVERY TANK ASSY			
TORQUE VALUES			
ITEM	PART #	DESCRIPTION	VALUE
1	20960	SCREW, 1/4-20 X 1-1/4" SST	18-20 IN-LBS

**RugDoctor** 4701 OLD SHEPARD PLACE  
PLANO, TX 75093

TITLE:  
**RECOVERY TANK ASSY**

ASSY. NO. **93084** DATE: **1/18/13**

PAGE # 3



HOSELESS DOME ASSY			
REPLACEMENT PARTS AVAILABLE:			
ITEM	PART #	DESCRIPTION	QTY
1	20965	SCREW, 8-18 X 3/4" SST	6
2	20967	FLAT WASHER, 1/2" OD	6
3	60787	ELBOW, 90° FLANGE A	1
4	60771	ELBOW, 90° FLANGE B	1
5	45185	BUSHING, DOME ELBOW	6
6*	10460	FILTER SCREEN WITH SPRING	1
7	41183	CLIP, RETAINER	2
8	60196	WASHER, PLASTIC, BLACK	2
9	60591	GASKET, ELBOW 2" OD	2
10	60769	DOME, CLEAR	1
11	60770	GASKET, DOME	1
12	77006	DECAL, NO FOAM	1
13*	61082	DOME HOSE ADAPTOR	2

\* ORDER SEPARATELY

HOSELESS DOME ASSY			
TORQUE VALUES			
ITEM	PART #	DESCRIPTION	VALUE
1	20965	SCREW, 8-18 X 3/4"	12-14 IN-LBS

**RugDoctor** 4701 OLD SHEPARD PLACE  
Powering Through Carpet Care PLANO, TX 75093

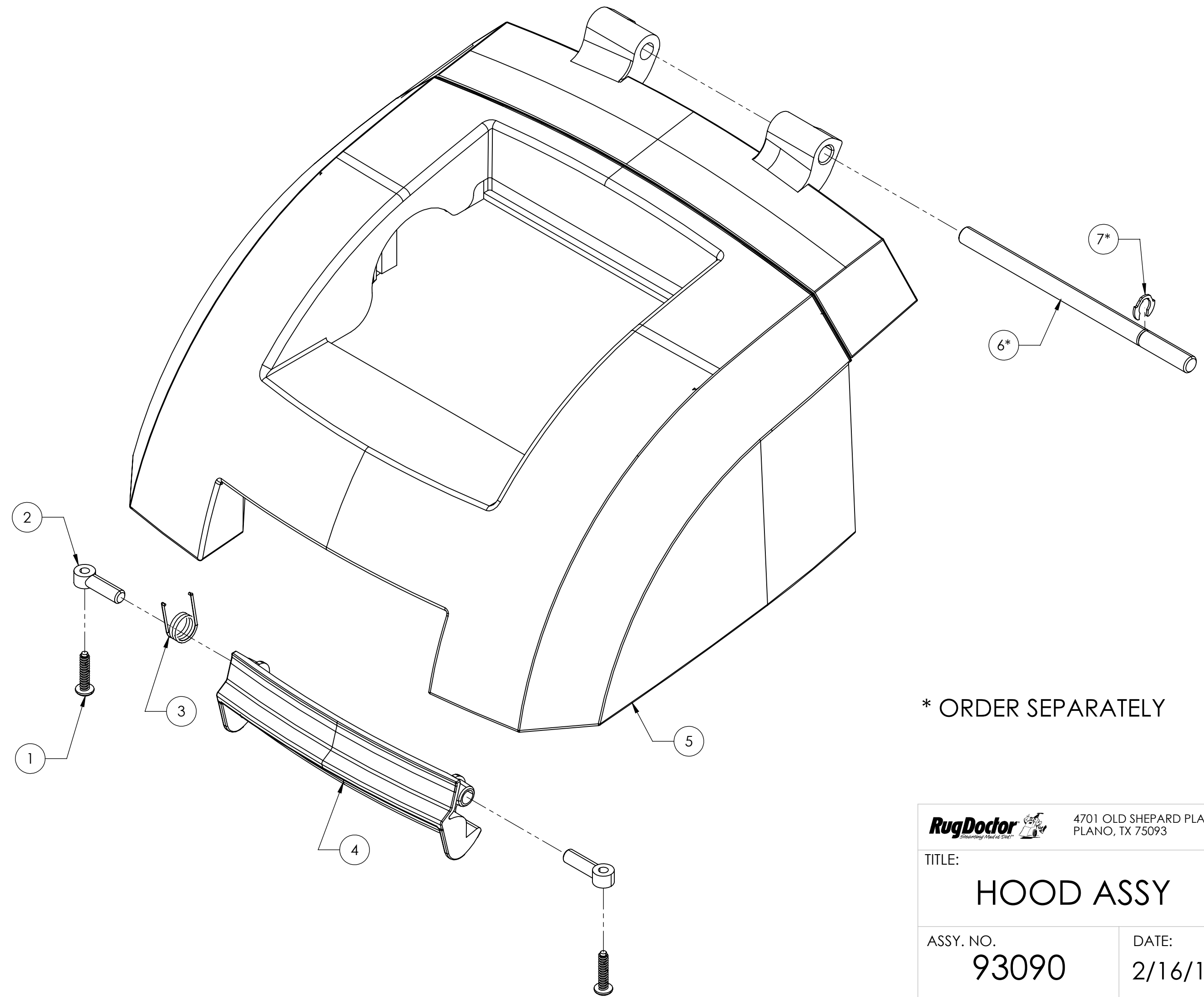
TITLE: **HOSELESS DOME ASSY**

ASSY. NO. DATE: **6/12/13**

93090, HOOD ASSY WITH LATCH AND PIN

REPLACEMENT PARTS AVAILABLE:

ITEM	PART #	DESCRIPTION	QTY
1	20965	SCREW, 8-18 X 3/4" SST	2
2	60790	PIN FOR LATCH	2
3	45186	SPRING FOR LATCH	1
4	60788	LATCH	1
5	60772	HOOD (DOME COVER)	1
6*	45184	SHAFT, 5/16"	1
7*	20604	RETAINING C-CLIP	1



\* ORDER SEPARATELY

93090, HOOD ASSY WITH LATCH AND PIN

TORQUE VALUES

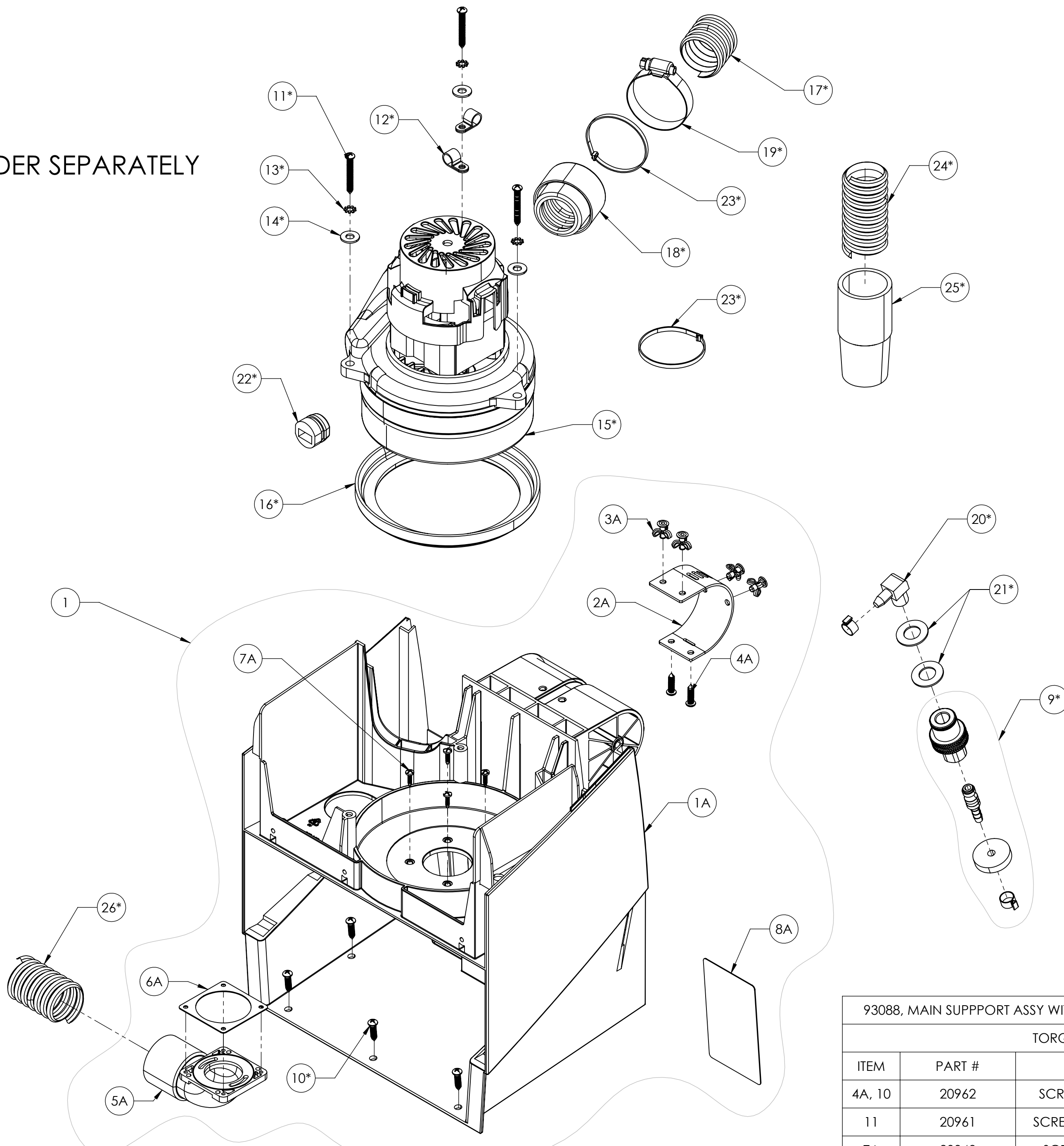
ITEM	PART #	DESCRIPTION	VALUE
1	20965	SCREW, 8-18 X 3/4" SST	12-14 IN-LBS

**RugDoctor** 4701 OLD SHEPARD PLACE  
Cleaning Made Easy PLANO, TX 75093

TITLE:  
**HOOD ASSY**

ASSY. NO. **93090** DATE: **2/16/11**

\* ORDER SEPARATELY



93088, MAIN SUPPORT ASSY WITH GASKET, STRIKER PLATE AND ELBOW			
AVAILABLE REPLACEMENT PARTS:			
ITEM	PART #	DESCRIPTION	QTY
1	93088	MAIN SUPPORT ASSY, BLUE X3	1
1A	65413	MAIN SUPPORT, BLUE	1
2A	45182	STRIKER PLATE	1
3A	20911	RIVET, ALUM, 3/16	4
4A	20962	SCREW, 10-16 X 3/4, SST	2
5A	60661	ELBOW, VAC MTR	1
6A	60263	GASKET, ELBOW	1
7A	20348	SCREW, 6-20 X 1/2, SST	4
8A	77012	ETL LABEL	1
9*	93078	QUICK CPLR KIT	1
10*	20962	SCREW, 10-16 X 3/4" SST	7
11*	20961	SCREW, 10-16 X 1-1/2" SST	3
12*	60796	CABLE CLAMP, P-CLIP	2
13*	19466	WASHER, LOCK #10 EXT	3
14*	20853	WASHER, FLAT #10	3
15*	50276	MOTOR, VAC 120V LINIX	1
16*	65355	GASKET, VAC MOTOR	1
17*	85250	HOSE, VAC, EXHAUST	1
18*	60726	COUPLING, THREADED	1
19*	11996	CLAMP, HOSE 35-55mm	1
20*	80775	ELBOW, BRASS, 1/4"	1
21*	20907	WASHER, .562" ID	2
22*	60794	BUSHING, S/R	1
23*	60166	CABLE TIE	2
24*	85251	HOSE, VAC, 20" L (DOME TO HOSE CUFF)	1
25*	80780	HOSE END, TAPERED	1
26*	85252	HOSE, VAC, 17" L (DOME TO VAC MTR)	1

93088, MAIN SUPPORT ASSY WITH GASKET, STRIKER PLATE AND ELBOW			
TORQUE VALUES			
ITEM	PART #	DESCRIPTION	VALUE
4A, 10	20962	SCREW, 10-16 X 3/4" SST	12-14 IN-LBS
11	20961	SCREW, 10-16 X 1-1/2" SST	18-20 IN-LBS
7A	20348	SCREW, 6-20 X 1/2, SST	4-5 IN LBS

**RugDodor** 4701 OLD SHEPARD PLACE PLANO, TX 75093

TITLE:  
**MAIN SUPPORT ASSY,  
BLUE X3**

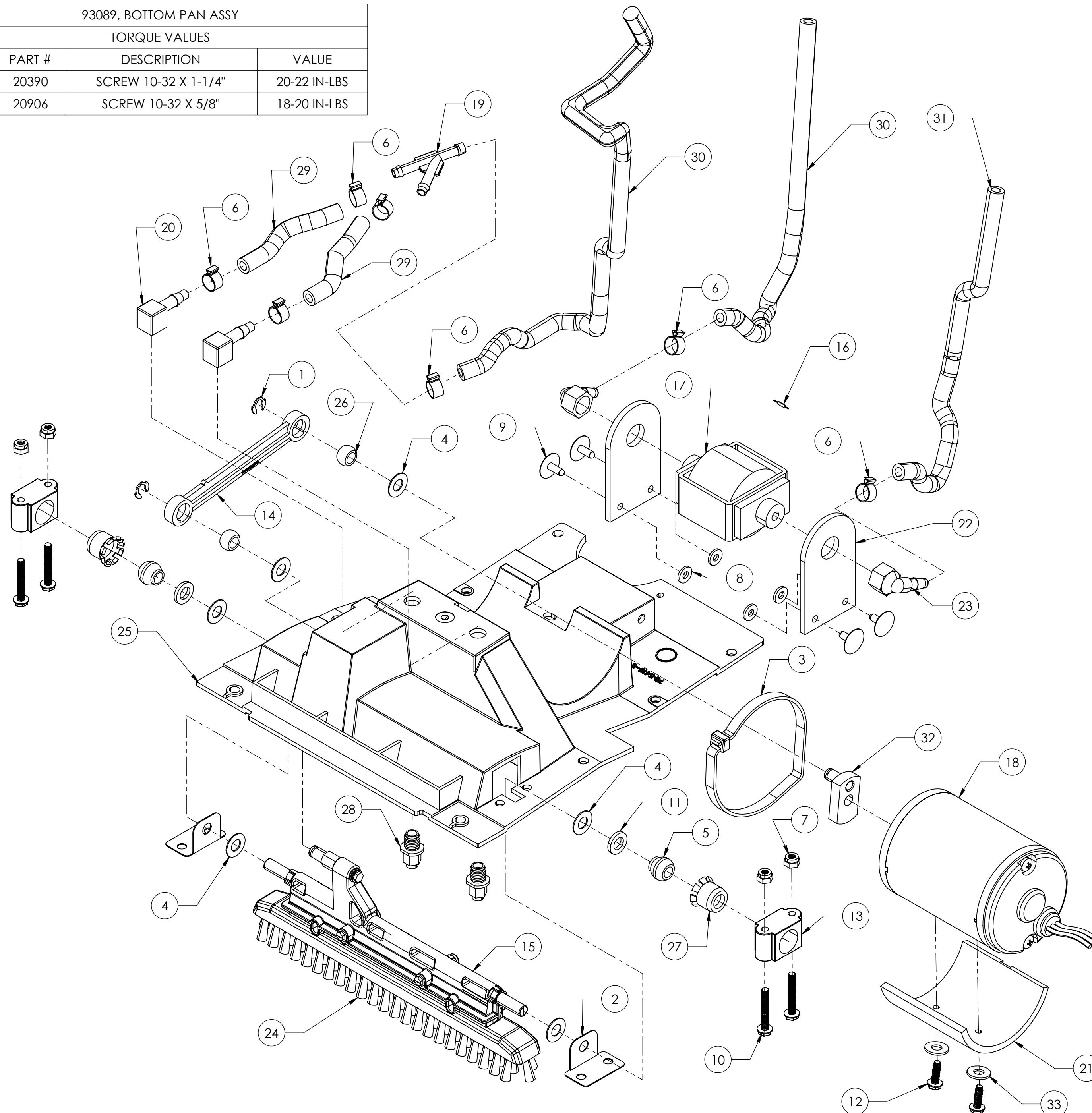
ASSY. NO. **93088** DATE: **11/4/13**



93089, BOTTOM PAN ASSY

TORQUE VALUES

ITEM	PART #	DESCRIPTION	VALUE
10	20390	SCREW 10-32 X 1-1/4"	20-22 IN-LBS
12	20906	SCREW 10-32 X 5/8"	18-20 IN-LBS



93089, BOTTOM PAN ASSY 120V

AVAILABLE REPLACEMENT PARTS:

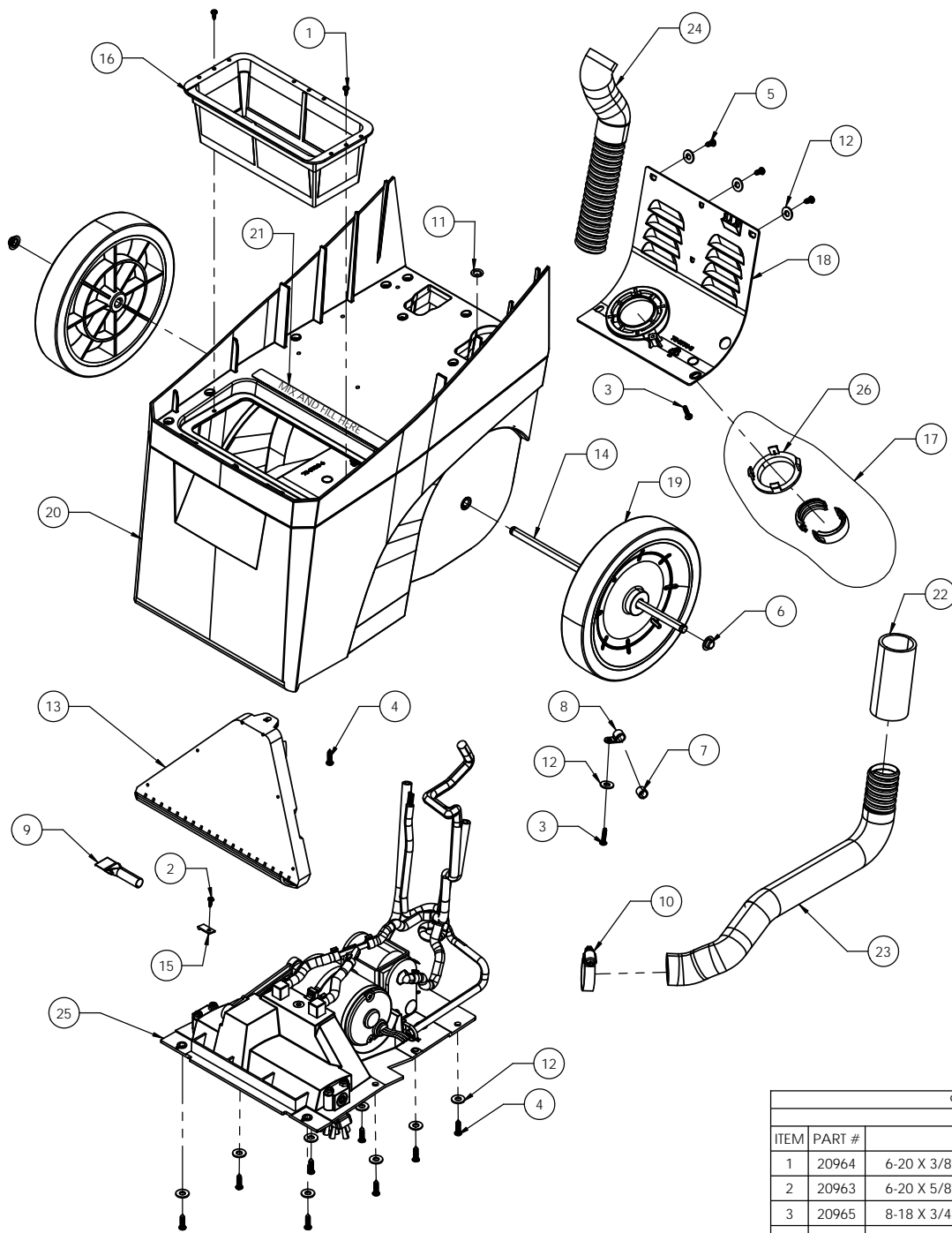
ITEM	PART #	DESCRIPTION	QTY
1	20604	RETAINING C-CLIP PO-25	2
2	60792	MYLAR SPLASH GUARD	2
3	60166	BLACK TIE, PASTIC STRAP	1
4	10316	WASHER, NYLON .341" ID, .68" OD, .06" THK	6
5	10341	BEARING PILLOW BLOCK	2
6	11845	CLAMP, HOSE, OETIKER 12mm	7
7	20231	NUT NYLOCK 10-32 SST	4
8	20266	WASHER AL .200" ID	4
9	20388	RIVET ALUM LARGE HEAD	4
10	20390	SCREW 10-32 X 1-1/4" FLANGE HEX HEAD	4
11	20840	WASHER, FELT 5/8"	2
12	20906	SCREW 10-32 X 5/8" FLANGE HEX HEAD	2
13	40353	PILLOW BLOCK	2
14	40388	DRIVE ARM SELF ALIGNING	1
15	45125	BRUSH HOLDER ASSY AL	1
16	50258	DIODE ASSY	1
17	12139	PUMP REPAIR KIT	1
18	92979	BRUSH MOTOR KIT	1
19	60138	CONNECTOR Y	1
20	60139	FITTING, BARB, 90°	2
21	60598	GASKET, MOTOR 3/16" THK RUBBER, 4" X 3"	1
22	60720	PUMP MOUNT, 3/16" THK RUBBER	2
23	60611	ELBOW BARB, 1/4"	2
24	60779	BRUSH STRIP ASSY	1
25	65415	BOTTOM PAN	1
26	80596	BUSHING DRIVE ARM	2
27	80597	SLEEVE HOLDER BEARING	2
28	80819	SPRAY JET TIP 110° NYLON	2
29	85231	SOL. HOSE REINF. 1/4" X 3" L	2
30	85253	SOL. HOSE REINF. 1/4" X 18-1/2" L	2
31	85254	SOL. HOSE REINF. 1/4" X 35-1/4" L	1
32	90069	CAM ASSEMBLY	1
33	20853	WASHER FL #10 X .518" O.D.	2
NS	55320	CORD, 18/4, INTERNAL, 37", GRAY	1



4701 OLD SHEPARD PLACE  
PLANO, TX 75093

TITLE:  
**BOTTOM PAN ASSY**

ASSY. NO. <b>93089</b>	DATE: <b>11/25/14</b>
---------------------------	--------------------------



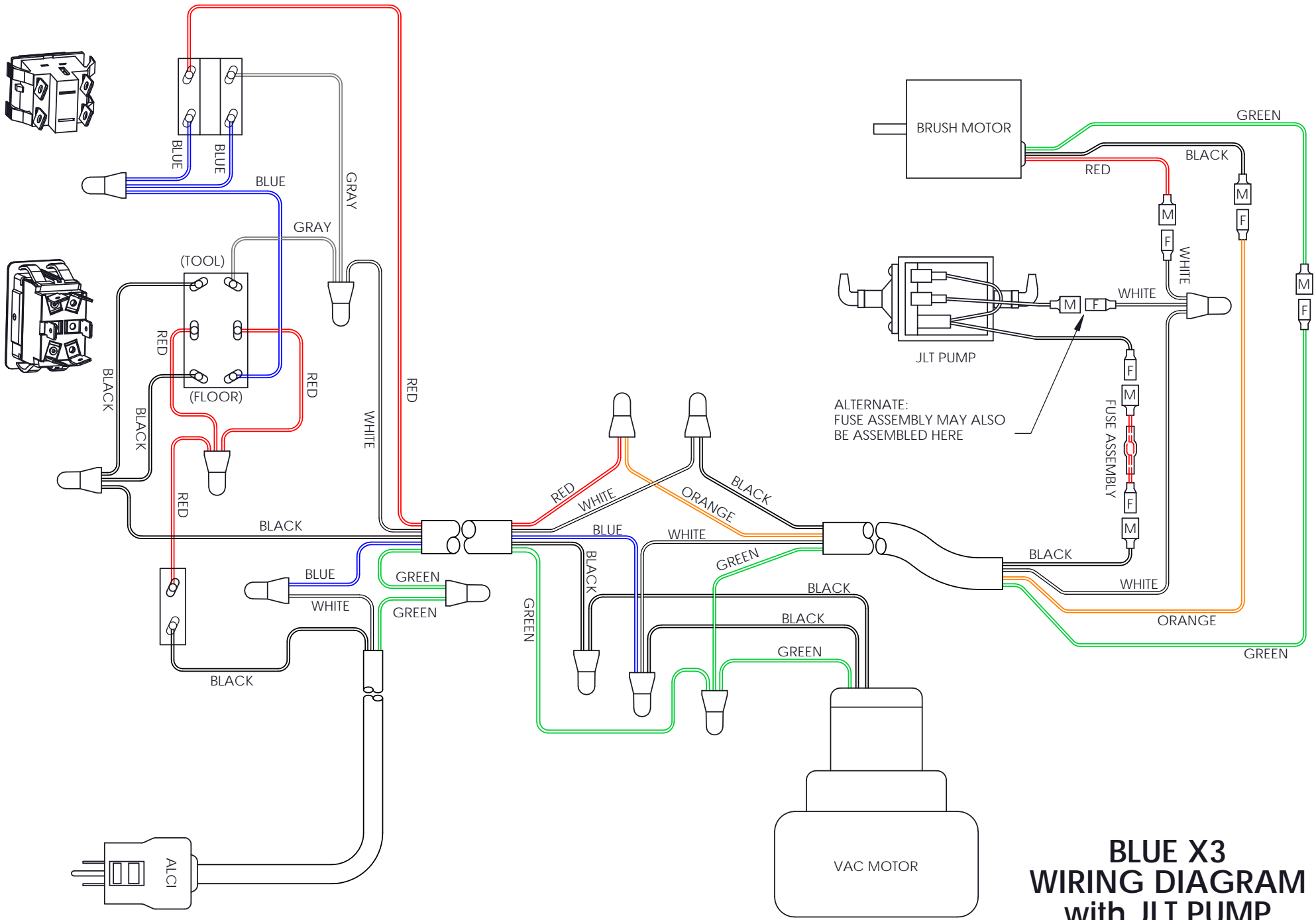
93081, LOWER TANK ASSY			
AVAILABLE REPLACEMENT PARTS			
ITEM	PART #	DESCRIPTION	QTY
1	20964	6-20 X 3/8" SST PHILLIPS BUTTON HEAD SCREW	2
2	20963	6-20 X 5/8" SST PHILLIPS BUTTON HEAD SCREW	1
3	20965	8-18 X 3/4" SST PHILLIPS BUTTON HEAD SCREW	2
4	20962	10-16 X 3/4" SST PHILLIPS BUTTON HEAD SCREW	9
5	20968	10-16 X 1/2" SST PHILLIPS BUTTON HEAD SCREW	3
6	45183	3/8" HUB CAP	2
7	60798	GROMMET FOR CABLE SJT	1
8	60796	CABLE P CLAMP	1
9	10461	LINE STRAINER, SUMP FILTER, 2-1/2" L	1
10	11995	CLAMP HOSE 25-40mm SST, ZINC SCREW	1
11	60797	O-RING 9/16" O.D.	1
12	20853	WASHER FL #10 X .518" O.D.	12
13	45123	NOZZLE FLOOR WITH ROLLED LIP	1
14	45124	REAR AXEL 3/8" DIA X 11 1/2" L	1
15	60262	TAB SUMP LINE RETAINER	1
16	60400	FILTER SCREEN 9.11" L	1
17	93079	SPLIT GROMMIT KIT	1
18	60776	VENT PANEL	1
19	60778	WHEEL TIRE 8" DIA. SMOOTH HUB	2
20	65414	BLUE TANK HOUSING COMPLETE W/ BUSHINGS	1
21	77001	MIX AND FILL HERE LABEL	1
22	80773	HOSE END ENLARGED	1
23	85246	VAC HOSE 18" L (NOZZLE TUBE)	1
24	85250	VAC HOSE EXHAUST 22" L	1
25	93089	BOTTOM PAN SUB ASSY	1
26	60767	GROMMET RETAINER	1

93081, LOWER TANK ASSY			
TORQUE VALUES			
ITEM	PART #	DESCRIPTION	VALUES
1	20964	6-20 X 3/8" SST PHILLIPS BUTTON HEAD SCREW	2-3 IN-LBS
2	20963	6-20 X 5/8" SST PHILLIPS BUTTON HEAD SCREW	2-3 IN-LBS
3	20965	8-18 X 3/4" SST PHILLIPS BUTTON HEAD SCREW	14-16 IN-LBS
4	20962	10-16 X 3/4" SST PHILLIPS BUTTON HEAD SCREW	14-16 IN-LBS
5	20968	10-16 X 1/2" SST PHILLIPS BUTTON HEAD SCREW	12-14 IN-LBS

**RugDoctor** 4701 OLD SHEPARD PLACE  
Restoring More Than Just Carpets PLANO, TX 75093

TITLE:  
**LOWER TANK ASSY**

ASSY. NO. <b>93081</b>	DATE: <b>1/18/13</b>
---------------------------	-------------------------



**BLUE X3  
WIRING DIAGRAM  
with JLT PUMP**